

# COMBINATION SQUARE SETS



2278-2

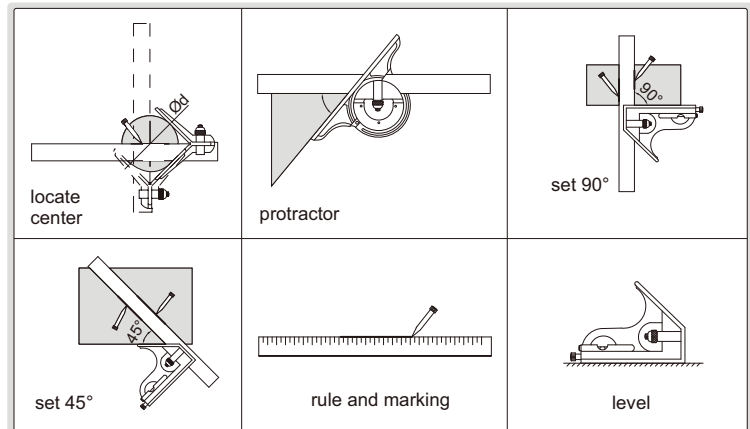
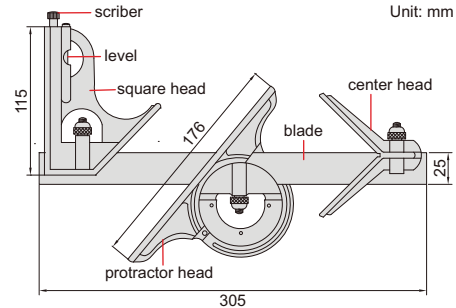


2278-3



2278-180

- Center head (made of cast iron):  
to locate center of cylinders with diameter ( $\varnothing$ d): 30-100mm  
accuracy:  $\pm 0.15$ mm
- Protractor head (made of cast iron):  
set the blade at desired angle to  
an edge of a workpiece, and can  
be used to measure angles  
range: 0-180°  
accuracy:  $\pm 20$ min.
- Square head (made of cast iron):  
set the blade at 90° or 45° to  
an edge of a workpiece  
accuracy:  $\pm 8$ min for 90° square,  
 $\pm 10$ min for 45° square
- Blade (made of stainless steel):  
range: 300mm/12",  
graduation: 0.5mm and 1/32" on  
front face, 1mm and 1/64" on back face
- Optional accessory: rigid rule (code **7113**)



| Code     | Remark      |
|----------|-------------|
| 2278-2   | 2-piece set |
| 2278-3   | 3-piece set |
| 2278-180 | 4-piece set |